

220

Polypropylene Homopolymer Ball Valve



Via Circonvallazione, 10
13018 Valduggia (VC), Italy
Tel: +39 0163 47891
Fax: +39 0163 47895
www.vironline.com

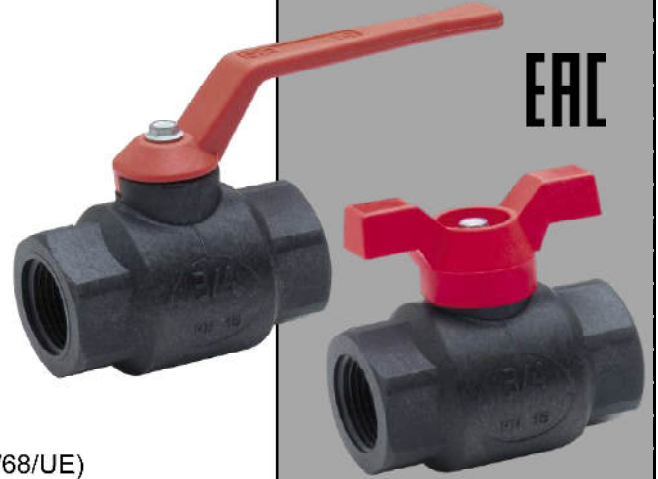


Polypropylene homopolymer ball valve
Threaded F/F (ISO 228/1)
One piece body
Blow-out proof stem
(ball and stem in stainless steel on request)
With handle or butterfly (up to DN≤32)
TR CU 010 compliant

PN16
Free of CE marking (cat. according to Art. 4.3 Dir. 2014/68/EU)

Working conditions

- Suitable for: water, 0°C to +75°C
- Not suitable for: gases group 1 & 2, liquids group 1 (Dir. 2014/68/UE)



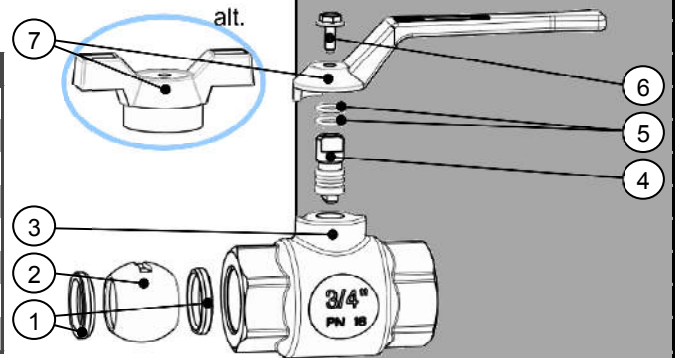
PARTLIST

N.	Part	Material	Norm
1	Seat	PTFE	-
2	Ball	Chromium pl. brass	EN12164 CW617N ¹
3	Body	Polypr. homopolymer ²	-
4	Stem	Brass	EN12164 CW617N
5	O-ring	NBR	-
6	Screw	Geomet steel	EN10025 Fe42
7	Handle	PA6 Polyamide ³	-
7 alt.	Butterfly	PA6 Polyamide ²	-

¹EN12165 CW617N for DN≥25

²30% glass fiber reinforced

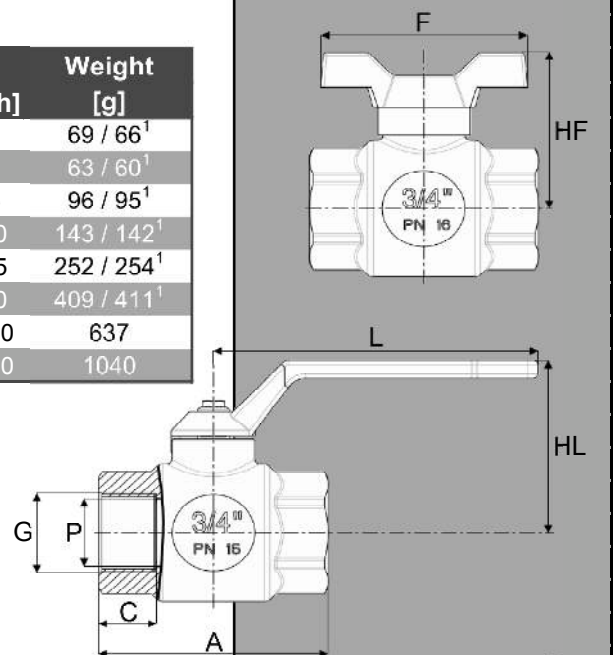
³50% glass fiber reinforced



DIMENSIONS

DN	G	A	C	P	HL	L	HF	F	K _v	Weight
		[mm]	[mm]	[mm]	[mm]	[mm]	[mm]	[mm]	[m ³ /h]	[g]
008	1/4"	52	14,0	10	47	85	41	61	3,2	69 / 66 ¹
010	3/8"	52	14,0	10	47	85	41	61	5,8	63 / 60 ¹
015	1/2"	61	15,5	15	55	102	50	65	9,5	96 / 95 ¹
020	3/4"	72	17,5	20	59	102	54	65	19,0	143 / 142 ¹
025	1"	84	20,5	25	73	120	70	82	38,5	252 / 254 ¹
032	1 1/4"	98	23,0	32	78	120	75	82	60,0	409 / 411 ¹
040	1 1/2"	108	23,0	40	95	146	-	-	125,0	637
050	2"	131	29,0	50	103	146	-	-	310,0	1040

¹Weight for lever handle version / weight for butterfly handle version



170411