

plimat

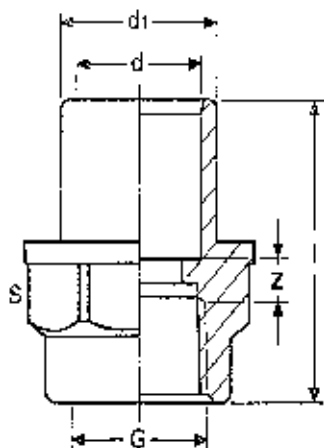
EMBOUIT TARAUDÉ

3 diamètres

mâle / femelle à coller x femelle à visser

ADAPTOR NIPPLE - ADAPTADOR MIXTO

PRODUITS ET DIAMÈTRES DISPONIBLES



| Référence | d1 | d | G | l | Z | S | Gr |
|------------|-----|----|-------|-----|----|-----|-----|
| ET20161/4 | 20 | 16 | 1/4" | 37 | - | 32 | 19 |
| ET20163/8 | 20 | 16 | 3/8" | 39 | - | 32 | 19 |
| ET20161/2 | 20 | 16 | 1/2" | 43 | - | 32 | 21 |
| ET20163/4 | 20 | 16 | 3/4" | 44 | - | 32 | 27 |
| ET25161/2 | 25 | 16 | 1/2" | 41 | 12 | 32 | 25 |
| ET25201/2 | 25 | 20 | 1/2" | 41 | 11 | 32 | 20 |
| ET25203/4 | 25 | 20 | 3/4" | 45 | 10 | 38 | 29 |
| ET25201 | 25 | 20 | 1" | 45 | 9 | 46 | 40 |
| ET32251/2 | 32 | 25 | 1/2" | 45 | 10 | 32 | 27 |
| ET32253/4 | 32 | 25 | 3/4" | 47 | 10 | 38 | 34 |
| ET32251 | 32 | 25 | 1" | 48 | 10 | 46 | 45 |
| ET322511/4 | 32 | 25 | 1"1/4 | 50 | 10 | 53 | 56 |
| ET40323/4 | 40 | 32 | 3/4" | 51 | 10 | 41 | 40 |
| ET40321 | 40 | 32 | 1" | 52 | 9 | 46 | 48 |
| ET403211/4 | 40 | 32 | 1"1/4 | 54 | 8 | 53 | 60 |
| ET403211/2 | 40 | 32 | 1"1/2 | 59 | 13 | 65 | 97 |
| ET504011/4 | 50 | 40 | 1"1/4 | 55 | 7 | 53 | 65 |
| ET504011/2 | 50 | 40 | 1"1/2 | 64 | 14 | 65 | 108 |
| ET50402 | 50 | 40 | 2" | 66 | 11 | 78 | 133 |
| ET635011/2 | 50 | 63 | 1"1/2 | 69 | 11 | 65 | 128 |
| ET63502 | 50 | 63 | 2" | 71 | 11 | 78 | 154 |
| ET635021/2 | 50 | 63 | 2"1/2 | 80 | 11 | 92 | 206 |
| ET75632 | 75 | 63 | 2" | 76 | 11 | 78 | 170 |
| ET756321/2 | 75 | 63 | 2"1/2 | 87 | 13 | 92 | 214 |
| ET75633 | 75 | 63 | 3" | 89 | 18 | 112 | 316 |
| ET907521/2 | 90 | 75 | 2"1/2 | 95 | 20 | 92 | 260 |
| ET90753 | 90 | 75 | 3" | 97 | 20 | 112 | 360 |
| ET90754 | 90 | 75 | 4" | 124 | - | 135 | 620 |
| ET110903 | 110 | 90 | 3" | 107 | 22 | 112 | 480 |
| ET110904 | 110 | 90 | 4" | 116 | - | 135 | 733 |